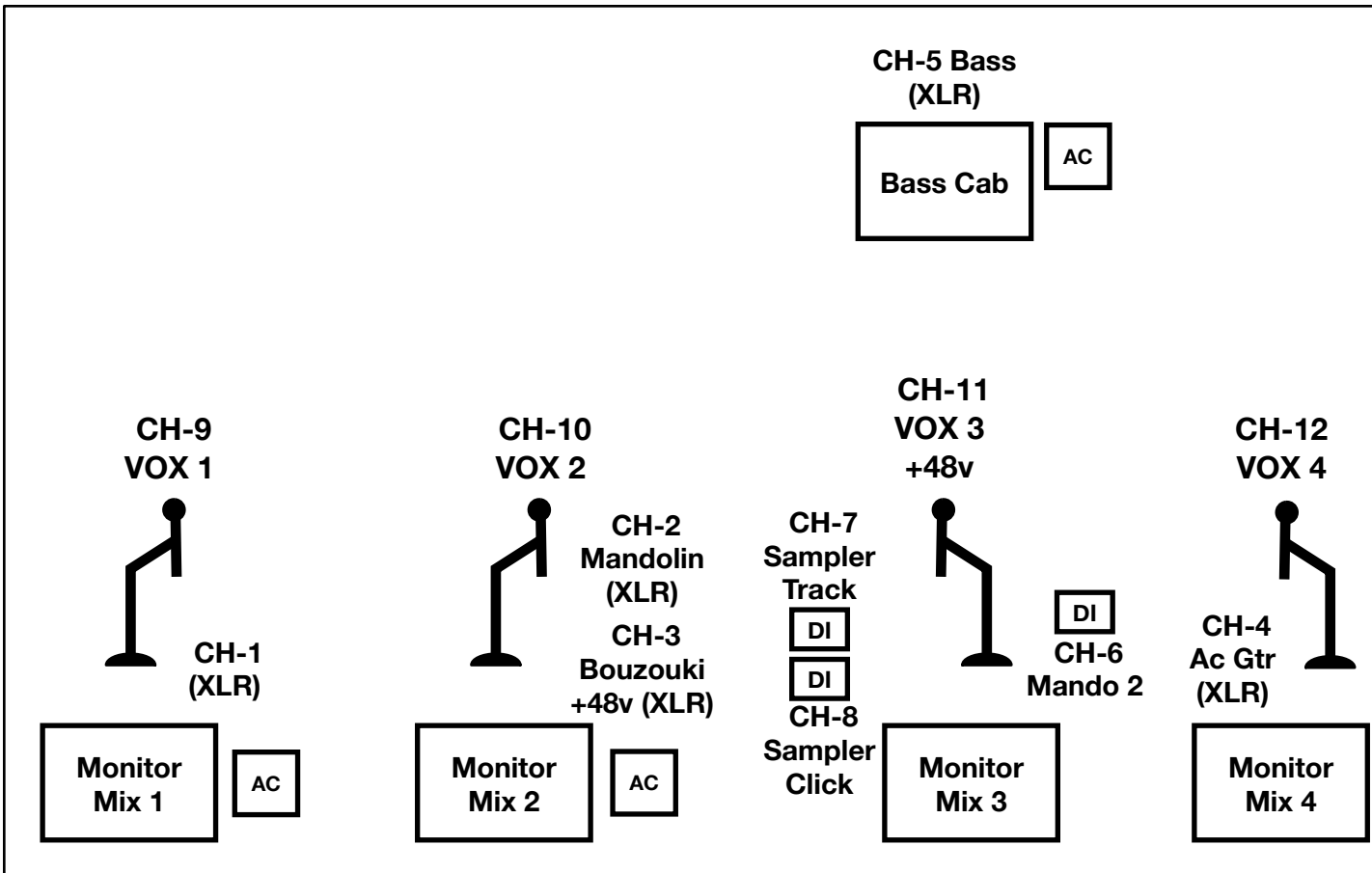


**Attention: The Greencards travel with the following: All vocal microphones (four), direct outputs for fiddle, mandolin, bouzouki, acoustic guitar, and bass guitar. Band also travels with one in-ear monitor transmitter.**

- VENUE TO PROVIDE:**
1. Three direct boxes for Sampler Track, Sampler Click, and Mandolin 2.
  2. Four separate monitor wedge mixes with equalization.
  3. One output from the monitor desk for an in-ear system. (Band will provide unit).



### Input List

1. Fiddle (XLR)
2. Mandolin (XLR)
3. Bouzouki +48v (XLR)
4. Ac Guitar (XLR)
5. Bass Guitar (XLR)
6. Mandolin 2 (DI)
7. Sampler Track (DI)
8. Sampler Click (DI)
9. Vocal 1 (SR)
10. Vocal 2 (SRC)
11. Vocal 3 +48v (SLC)
12. Vocal 4 (SL)

**Mic Stands: Five tall booms with clips**